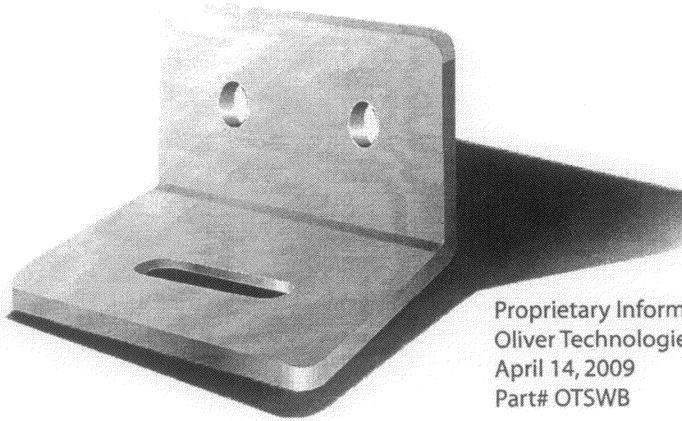


Sidewall Bracket (OTWSB)



Proprietary Information of
Oliver Technologies, Inc.
April 14, 2009
Part# OTSWB

Installation:

Step 1: Locate the outside rim joist underneath the home.

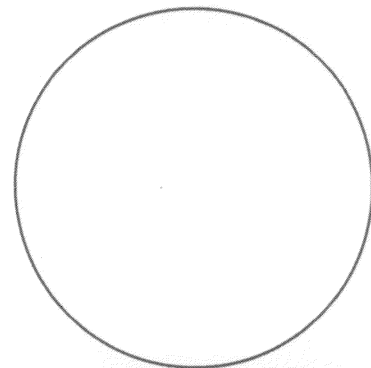
Step 2: Position Sidewall Bracket so that the two holes are centered on the joist and the strap slot is facing towards the outside of the home.

Step 3: Mark the center of both holes and pre-drill two (2) pilot holes using a 15/64" drill bit.

Step 4: Using a 9/16" socket install two (2) 3/8" -7x3 Lag Screws into the two pre-drilled holes to secure the Sidewall Bracket.

Step 5: Refer to anchor and strapping installation instructions for proper installation to anchor and strap.

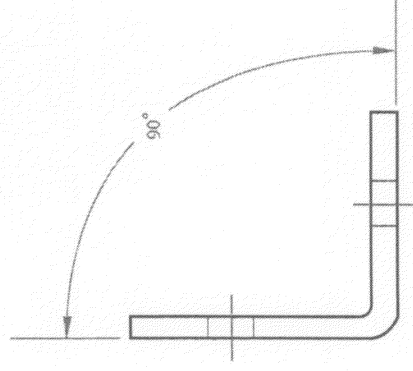
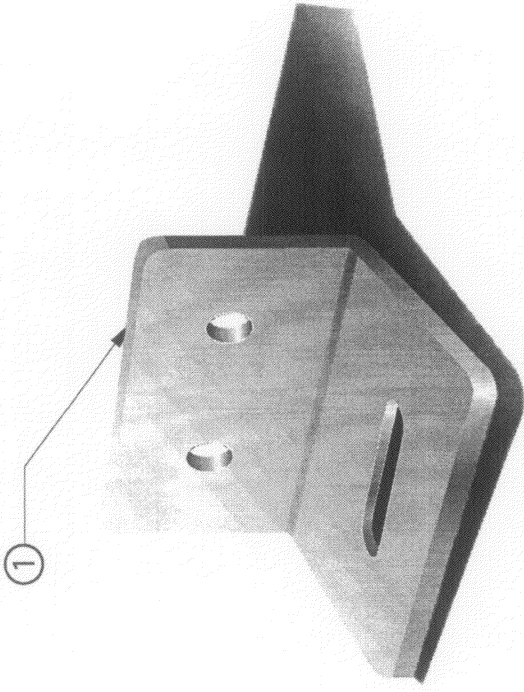
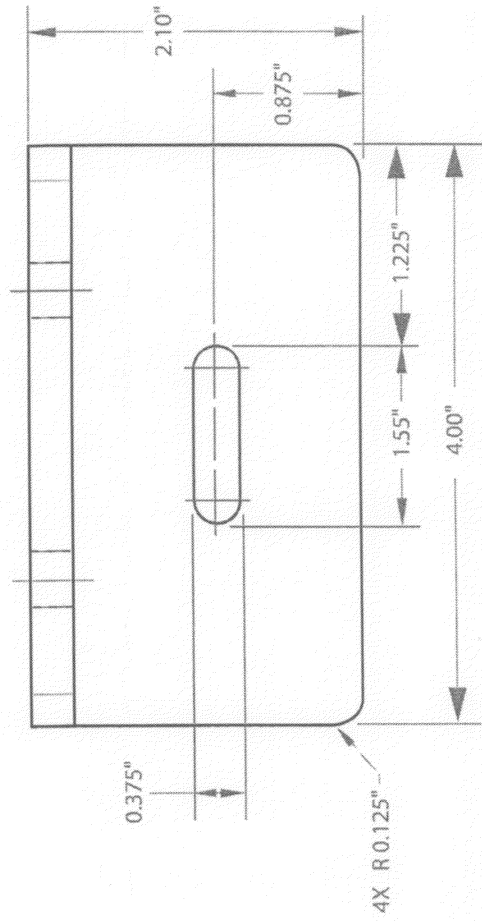
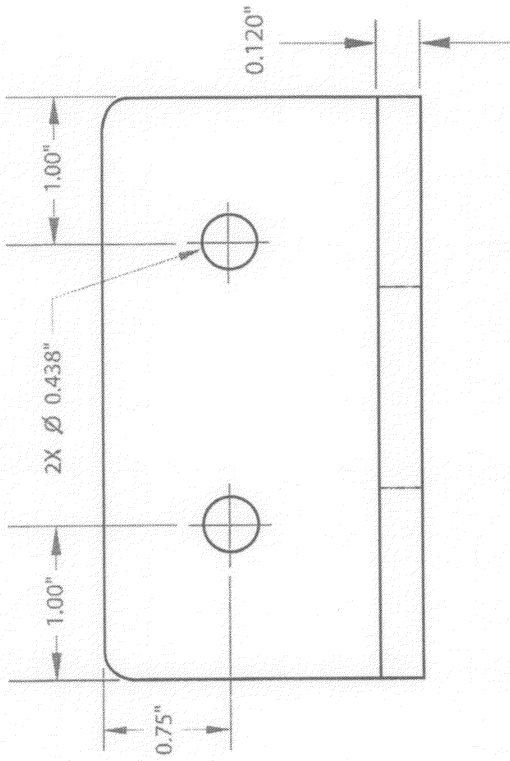
NOTE: The maximum allowable working load capacity of the OTSWB is 3150 lbs and shall withstand 50% overload (4125 lbs).



ENGINEER APPROVAL

PARTS LIST

ITEM	QTY	PART NUMBER	DESCRIPTION
1	1	OTSWB	3.5" x 4" x 1/8" w/ 2 HOLES



NOTES:

1. APPROVED VENDOR: OLIVER TECHNOLOGIES, INC. 1-800-284-7437
2. MATERIAL: 11 Ga. (120) A36 STEEL
3. FINISH: G-120 GALVANIZED

OLIVER TECHNOLOGIES 609 Swan Avenue • PO Box 338 • Hohenwald, Tennessee 38462 Toll Free (888) 526-3978 • (931) 796-6600 • Fax (931) 796-0156			
SCALE	DRAWN BY	PART NO.	
NOT TO SCALE	SLM 3-9-08	OTSWB	
SHEET	DATE	DESCRIPTION	
1 OF 1	3-9-08	3.5" x 4" x 1/8" w/ 2 HOLES	