

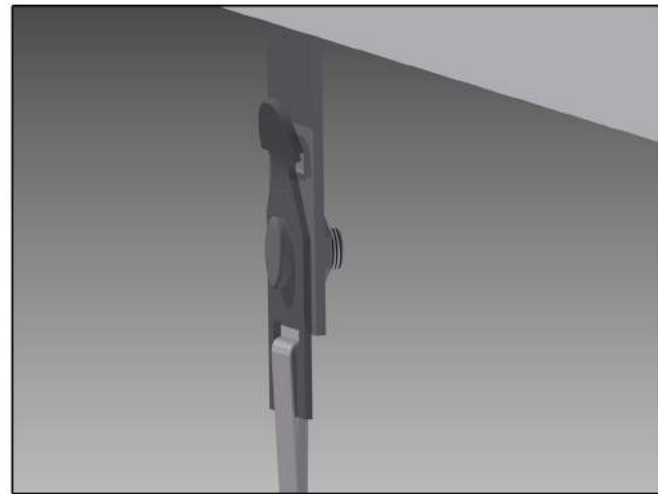
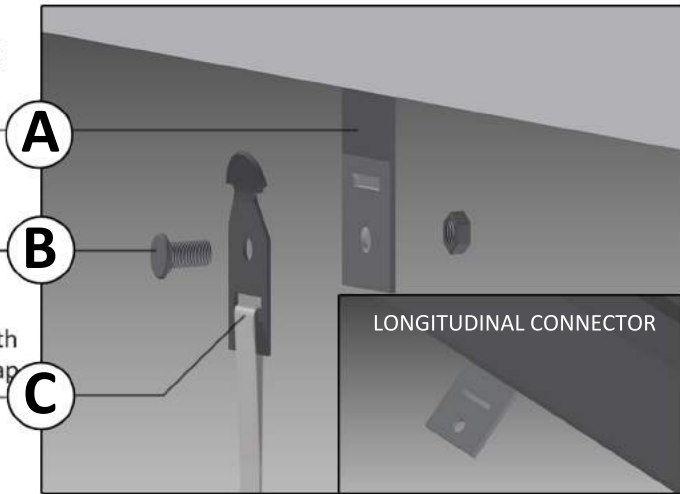
# Installation Instructions for Model # OTQCU

## Universal Quick Connector for Sidewall and Longitudinal Ties

Typical sidewall or longitudinal bracket installed by home manufacturer.

Bolt and Nut

Quick Connector with factory installed strap



**Step 1:** Locate the sidewall or longitudinal bracket installed by home manufacturer.

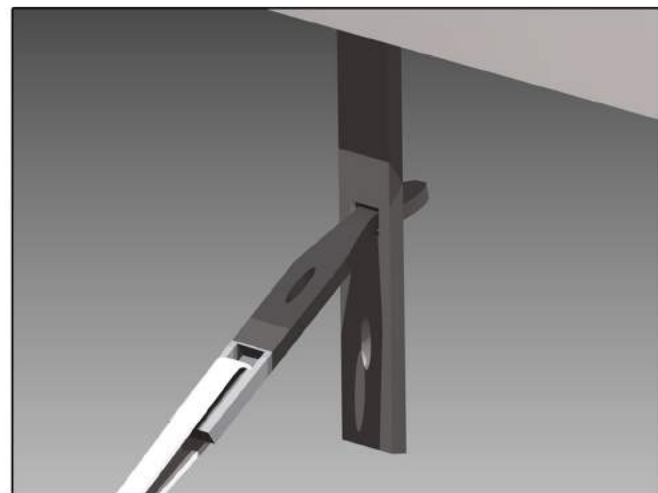
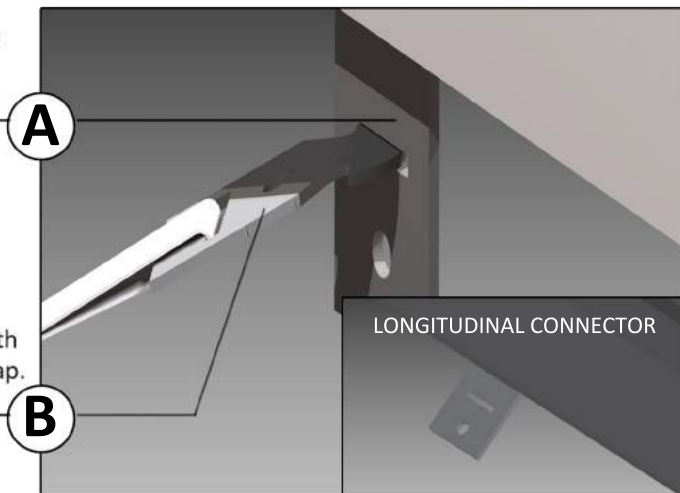
**Step 2:** Insert bolt through hole in OTQCU then through hole in bracket.

**Step 3:** Place nut on bolt and tighten.

**Step 4:** Refer to Oliver Technologies Strapping Instructions for proper installation of strap.

Typical sidewall or longitudinal bracket installed by home manufacturer.

Quick Connector with factory installed strap.



**Step 1:** Locate the sidewall or longitudinal bracket installed by home manufacturer.

**Step 2:** Insert Quick Connector into bracket slot at 45 degree angle.

**Step 3:** Turn Quick Connector until locked into position.

**Step 4:** Refer to Oliver Technologies Strapping Instructions for proper installation of strap.