

# Adjustable Outrigger

Part # 1055-18

## Introduction

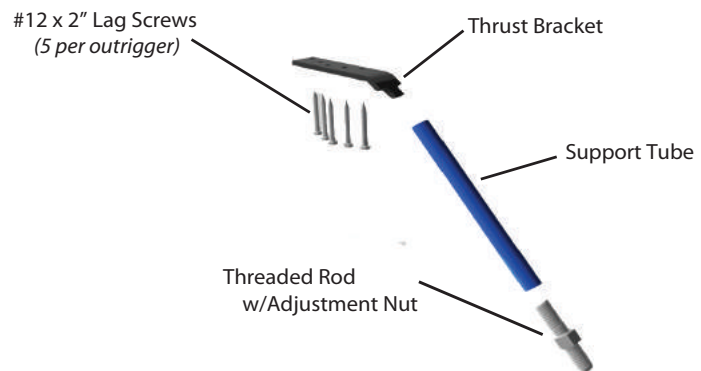
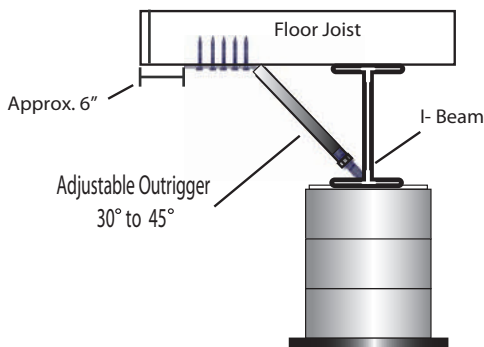
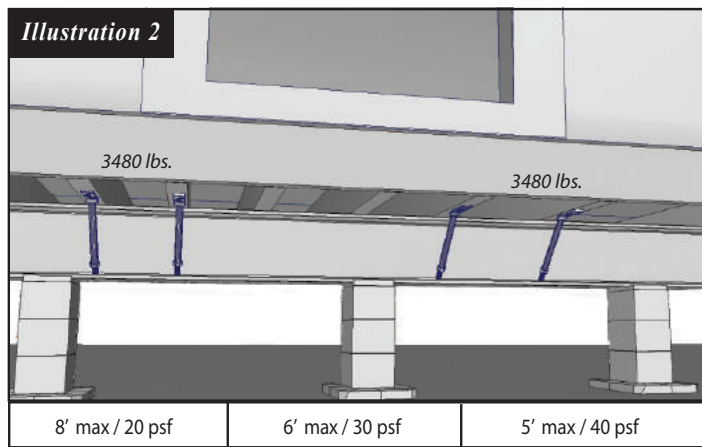
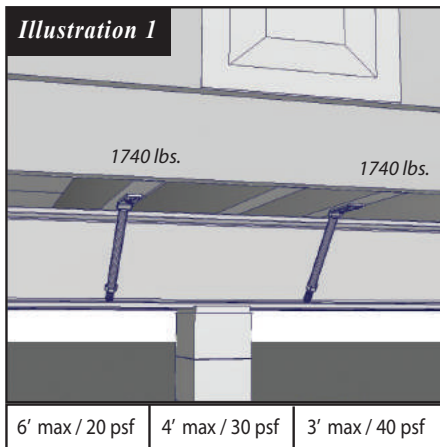
The Adjustable Outrigger is for use on all HUD approved homes and modular buildings up to a nominal 16' wide floor . The Adjustable Outrigger has been designed to replace perimeter piers with a maximum working load of 1740 lbs. For perimeter piers with a working load in excess of 1740 lbs.; but not greater than 3480 lbs., two Adjustable Outriggers shall be used. Refer to the installation manual or home manufacturer for roof loads, pier loads and location of perimeter piers.

## Preparation

1. When Adjustable Outriggers are used as door or window supports, they must be installed on the closest floor joist and not over 16" from the outside edge of the opening. (*Illustration 1*)
2. When used for larger openings or to support loads greater than 1740 lbs., two Adjustable Outriggers shall be installed on the two closest floor joists to the outside of the opening or the location requiring support. (*Illustration 2*)
3. The OR-14 (18" tube) is designed for homes up to 14' wide. The OR-16 (30" tube) is designed for homes up to 16' wide. (All tubes may be cut to length)

## Instructions

1. Locate the floor joist that requires support.
2. Adjust the nut on the Threaded Rod so it will clear the frame flange for easy adjustment and insert the Threaded Rod into the Support Tube.
3. Place the Support Tube with the Threaded Rod against the frame flange and raise the Support Tube to bottom of the floor joist.
4. Insert the notched end of the Thrust Bracket into the open end of the Support Tube. Adjust the threaded rod so that the end of the thrust bracket is approximately 6" from the outer edge of the floor. (*Support Tube may be cut to length.*)
5. Center the Thrust Bracket on the floor joist and secure it in position with five #12 x 2" lag screws. (*Bottom board and insulation may be between the Thrust Bracket and floor joist.*)
6. For minor adjustments, align door and window openings by tightening or loosening the Adjustment Nut. For all other adjustments use a hydraulic jack to raise the floor joist before installation of the Adjustable Outrigger.



## Notes:

- \* Remove Adjustable Outrigger when home is being transported.
- \* Do not install Adjustable Outrigger at locations where the home manufacturer has indicated a load in excess of 1740 lbs. / 3480 lbs.
- \* The Adjustable Outrigger must be used on a minimum 8" I-beam and be placed within 4' of a main frame support pier or frame crossmember.