



## OTI - S3 Sideline Support System

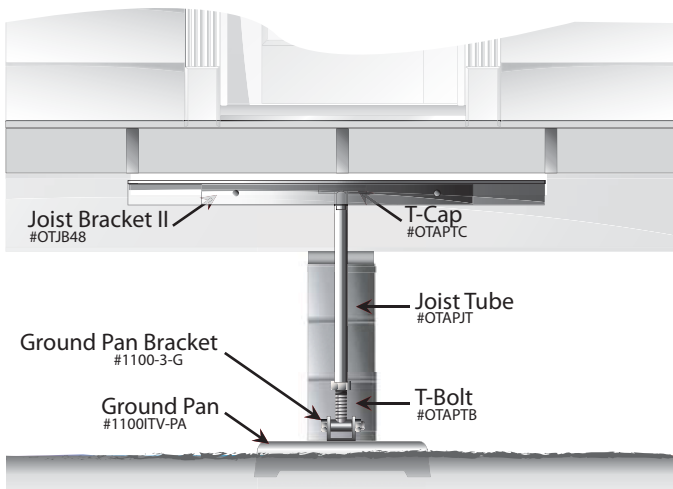
Part # OTIS3

### Instructions:

1. Locate the floor/rim joist that requires support.
2. For Ground / Dirt Set skip this step and proceed to step 3. For Concrete Set, replace ground pan with an OTCAD(P or G) Concrete Anchor and refer to Oliver Technologies anchors & components installation instructions for correct method of installation. Proceed to Step 6.
3. Place and center the Ground Pan (1100ITV-PA) directly beneath the chassis I-Beam so that the Ground Pan Bracket (1100-3-G) is in line with a floor joist and facing towards the outside of the home. The Ground Pan Bracket may be offset to either side of the floor joist by up to 4 inches.
4. Press or drive Ground Pan completely into soil until flush with or below soil. (*All weeds and debris must be removed from under pan.*)
5. Build or install pier on top of Ground Pan per home manufacturer's installation instructions or per local authority having jurisdiction.
6. Place the T-Bolt (OTAPT B) inside the Ground Pan Bracket or Concrete Anchor. Insert 2<sup>3/4</sup>" x 1/2" grade 5 bolt through the Ground Pan Bracket and the T-Bolt tube. Hand tighten bolt and nut.
7. Thread the 1<sup>1/4</sup>" Joist Tube (OTAPJT) completely onto the T-Bolt.
8. Center Joist Bracket II (OTJB48) up to 12" from outside rim joist of home at required location.. (*Note that the pre-drilled holes on Joist Bracket II are spaced for 16" OC & 24" OC, other holes may be drilled as needed*)
9. Using a 1/4" drill bit, make three (3) pilot holes through the pre-drilled holes and secure the Joist Bracket II with three (3) 3" x 3/8" lag screws to three (3) separate floor joists.
10. Raise the Joist Tube to the under-side of the home and cut the Joist Tube approximately 1" shorter than desired length.
11. Insert the T-Cap (OTAPTC) into the Joist Tube and raise assembly into position.
12. Use a 1<sup>1/8</sup>" wrench to adjust the Joist Tube by turning counter-clockwise until the S3 has been set to desired height. (*Maximum allowable adjustment on threaded T-Bolt is 4"*)
13. Tighten the 2<sup>3/4</sup>" x 1/2" bolt on Ground Pan Bracket.

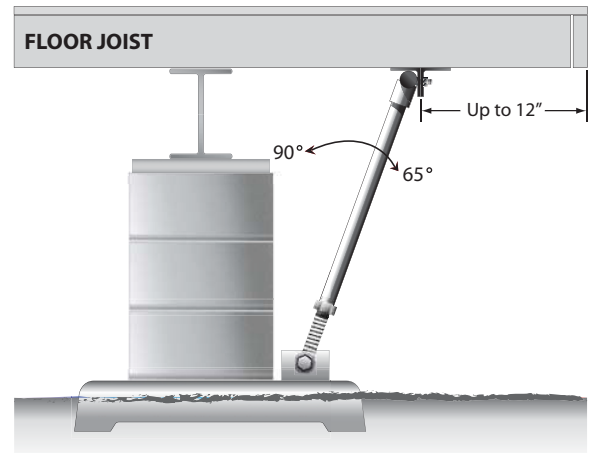
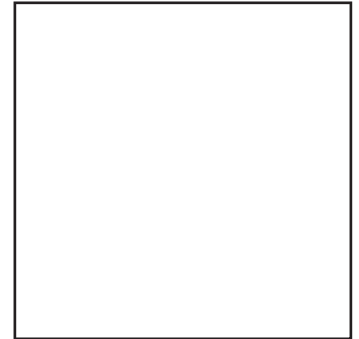
### Notes:

- Working pier load shall not exceed 4,800 lbs.
- Allowable working angle is between 65 and 90 degrees.
- Joist Bracket II must span the width of the opening or location requiring support
- **Multiple S3(s):** For openings or locations wider than 48", each S3 shall be centered on the floor joist(s) closest to the outside edge of opening.
- Maximum Joist Tube length is 60".



The OTI S3 takes the place of two perimeter piers for openings 48" or less  
-use multiple S3's for openings greater than 48"

Revised 08.24.11



Patent #6634150 & other Patents Pending